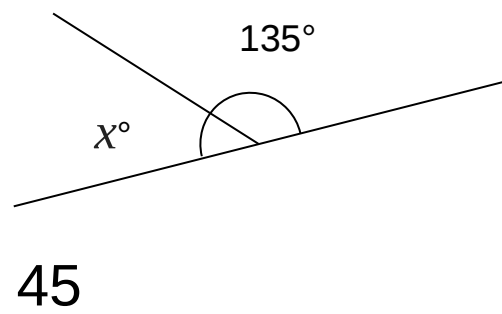
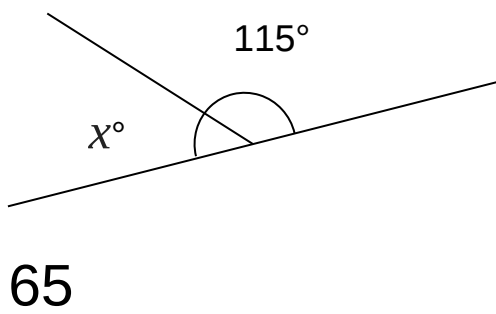
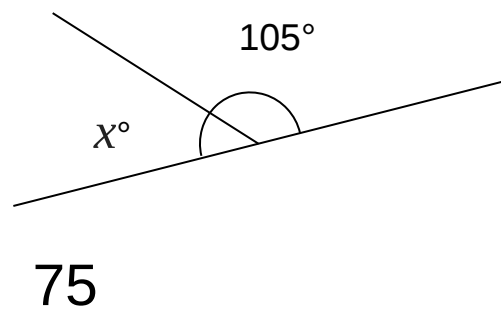
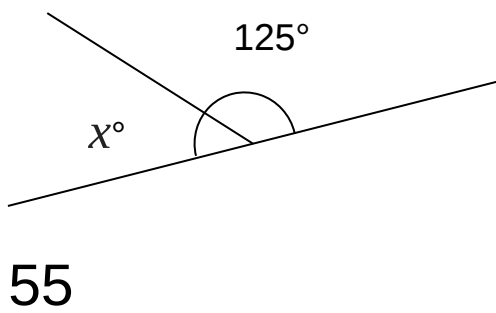
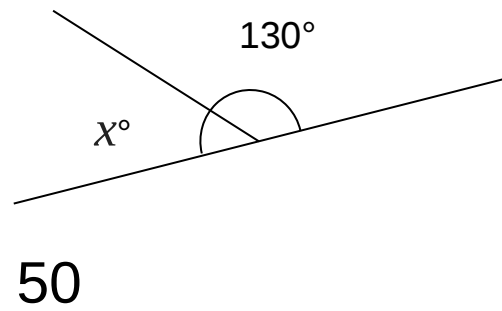
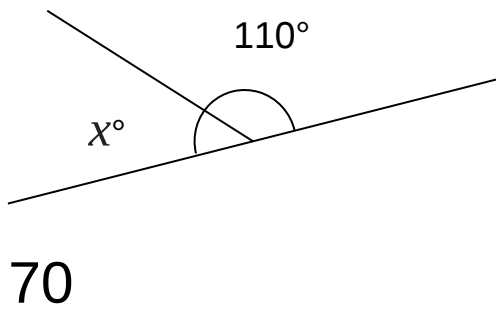
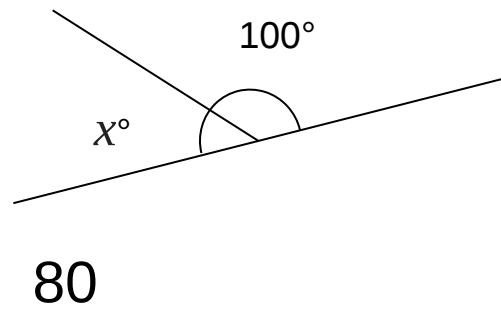
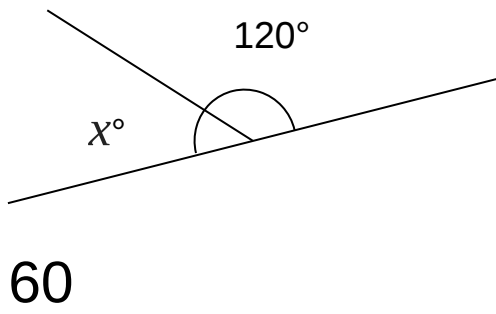
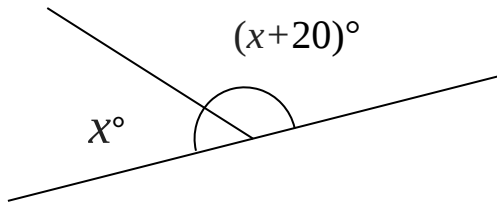
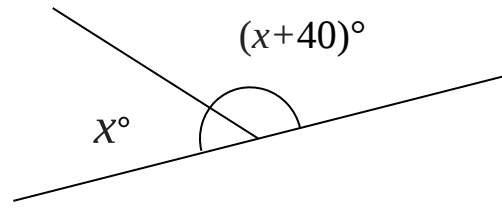


1 Work out the value of x :

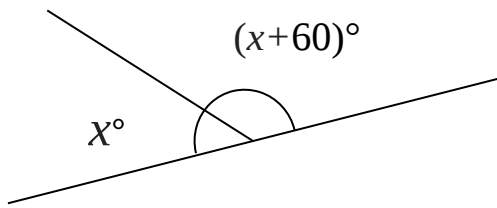




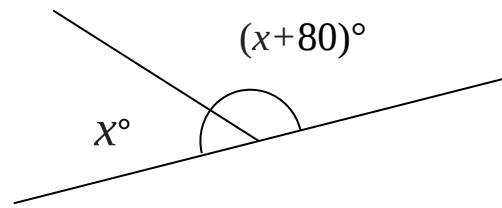
80



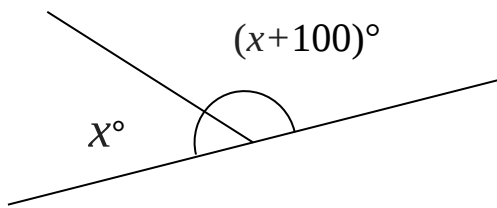
70



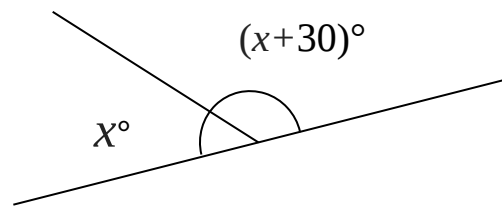
60



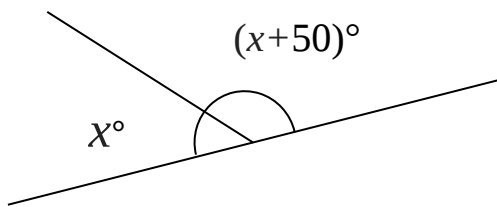
50



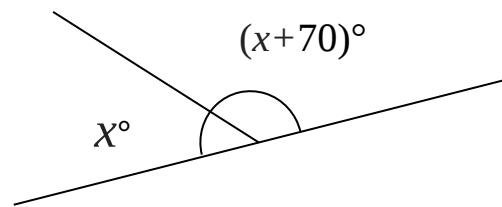
40



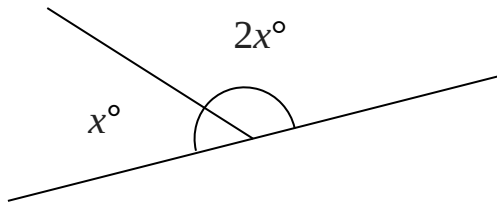
75



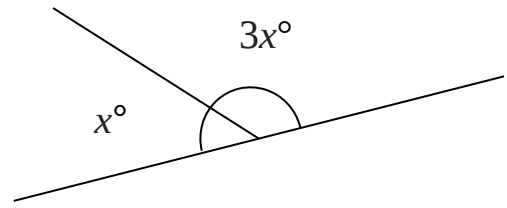
65



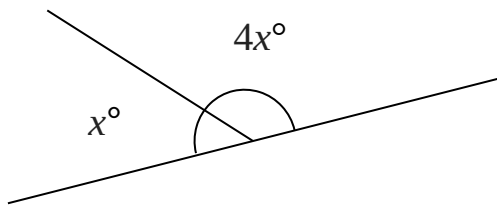
55



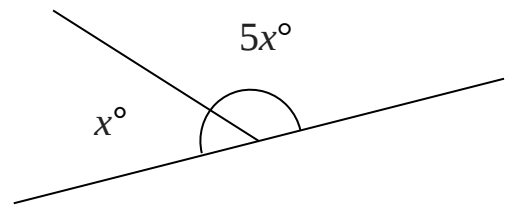
60



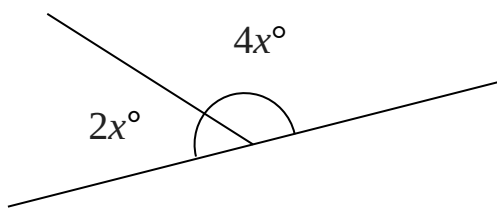
45



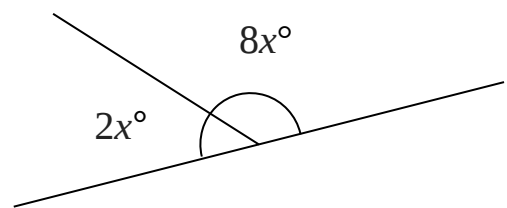
36



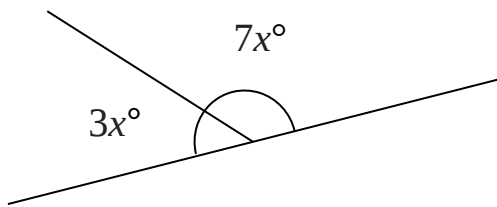
30



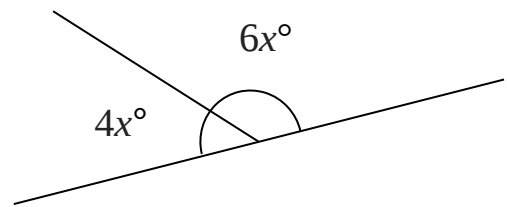
30



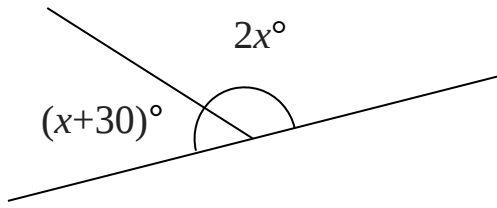
18



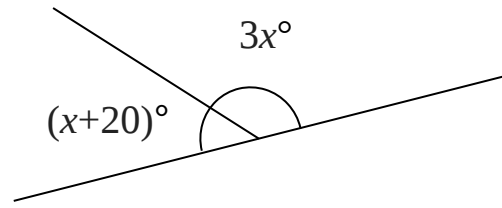
18



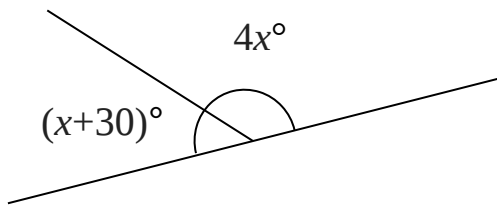
18



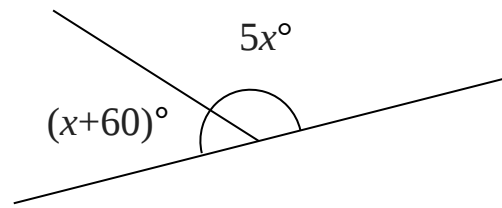
50



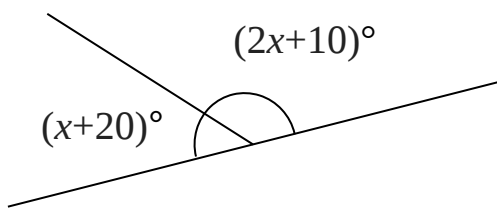
40



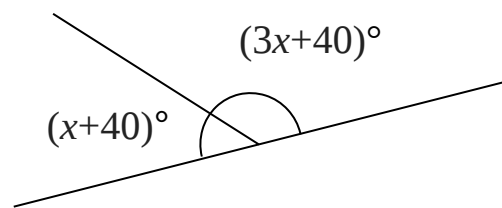
30



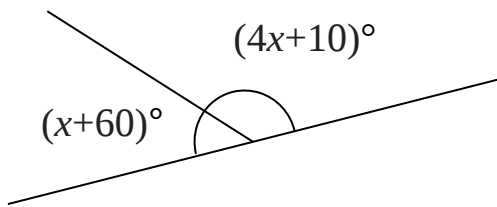
20



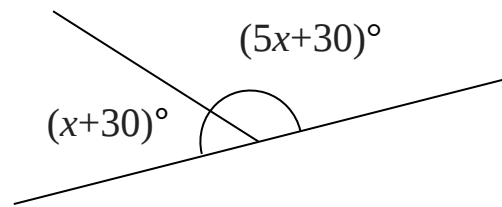
50



25



22



20