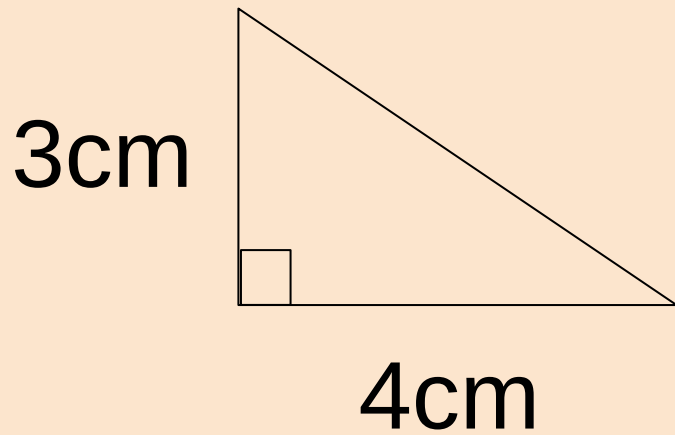
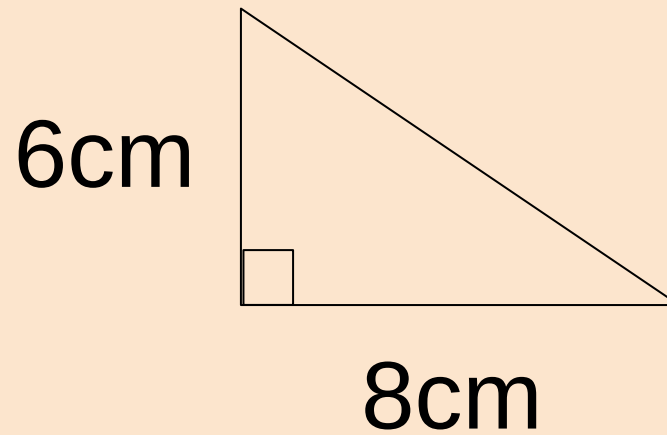


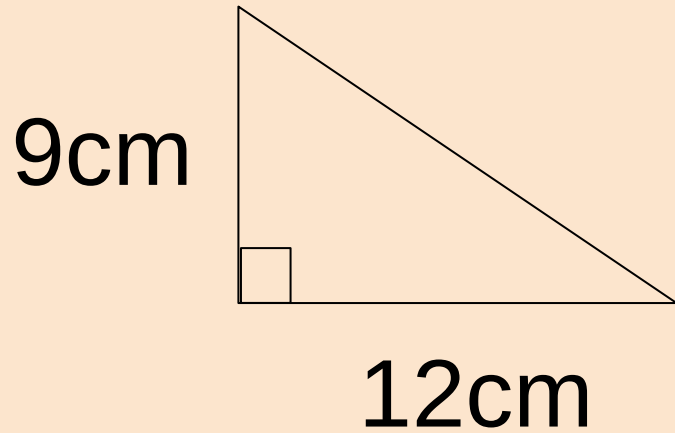
Work out the length of the hypotenuse:



Work out the length of the hypotenuse:



Work out the length of the hypotenuse:



Work out the length of the hypotenuse:

